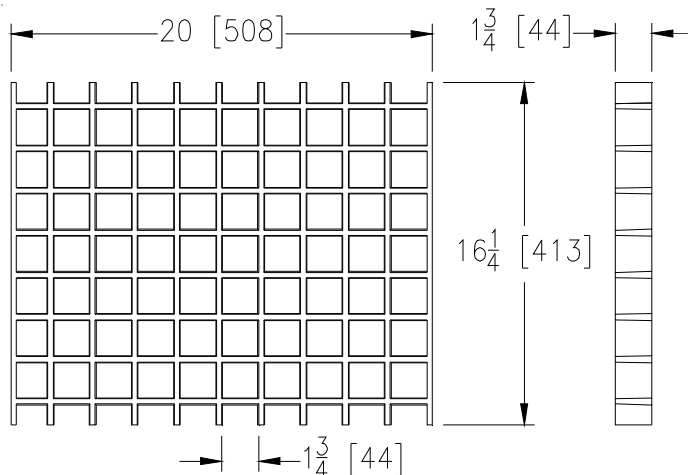




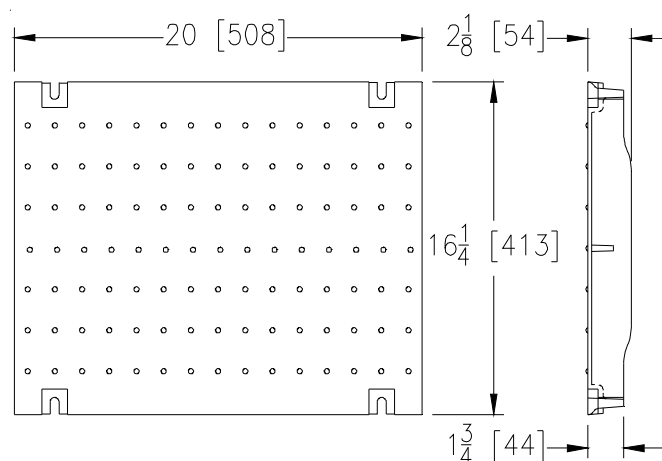
Z874-12

12" WIDE THROAT GRATES



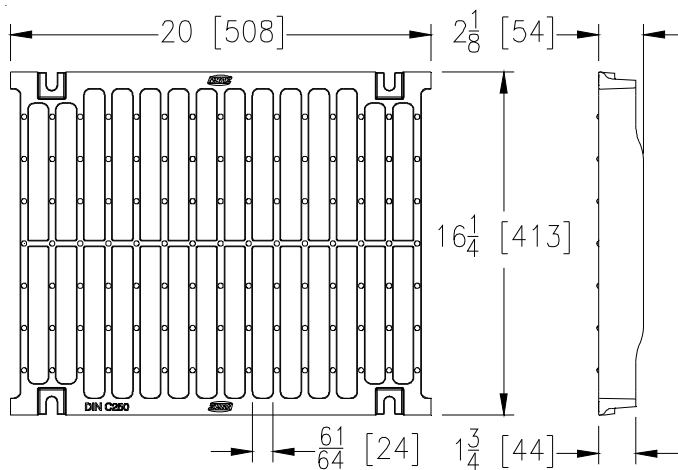
Please Check	Item No.
✓	1

GG-Fiberglass		
Material: Fiberglass		
DIN Rating: Class A		
Weight: 6.00 # per ft.		
Open Area: 147 sq. in. per ft.		
ANSI Rating: Light-Duty		
Application: Chemical Resistance & Pneumatic		
Slot Width/Hole Size: 1.75"		
ADA	H-20	FAA
No	No	No



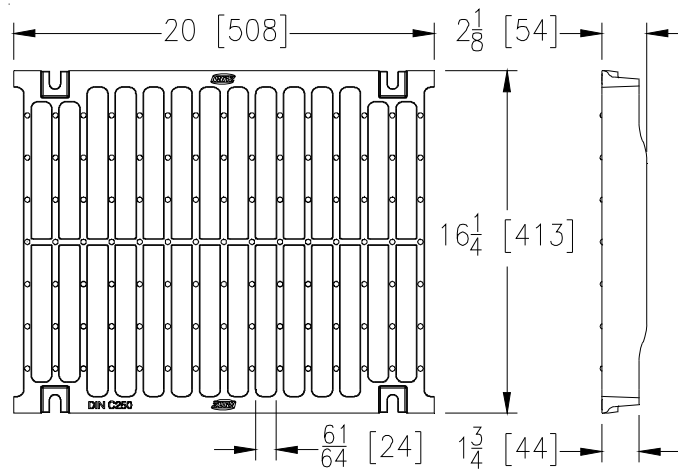
Please Check	Item No.
✓	2

DCC-Ductile Iron Solid Cover		
Material: Ductile Iron		
DIN Rating: Class C		
Weight: 29.00 # per ft.		
Open Area: N/A		
ANSI Rating: Heavy-Duty		
Application: Heavy Vehicle, Truck & Conduit		
Slot Width/Hole Size: N/A		
ADA	H-20	FAA
Yes	Yes	No



Please Check	Item No.
✓	3

DGC-Ductile Iron Slotted		
Material: Ductile Iron		
DIN Rating: Class C		
Weight: 29.00 # per ft.		
Open Area: 118 sq. in. per ft.		
ANSI Rating: Heavy-Duty		
Application: Heavy Vehicle & Truck		
Slot Width/Hole Size: .95"		
ADA	H-20	FAA
No	Yes	No



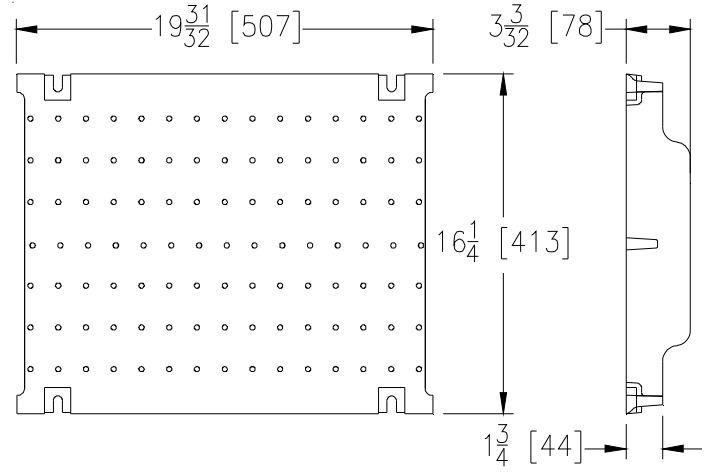
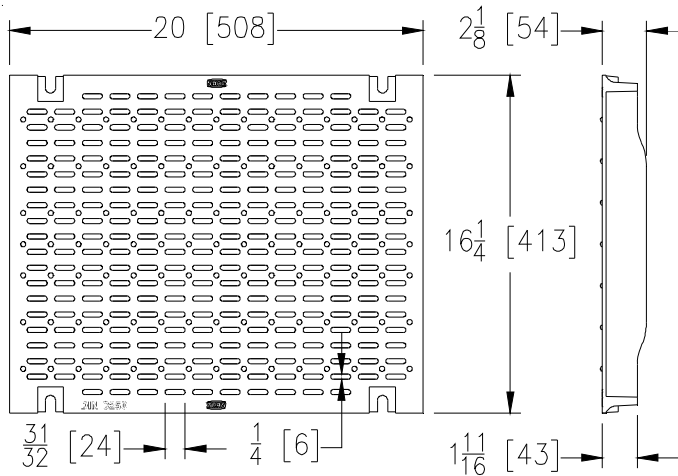
Please Check	Item No.
✓	4

GDC-Galvanized Ductile Iron		
Material: Ductile Iron		
DIN Rating: Class C		
Weight: 29.00 # per ft.		
Open Area: 118 sq. in. per ft.		
ANSI Rating: Heavy-Duty		
Application: Heavy Vehicle & Truck		
Slot Width/Hole Size: .95"		
ADA	H-20	FAA
No	Yes	No



Z874-12

12" WIDE THROAT GRATES

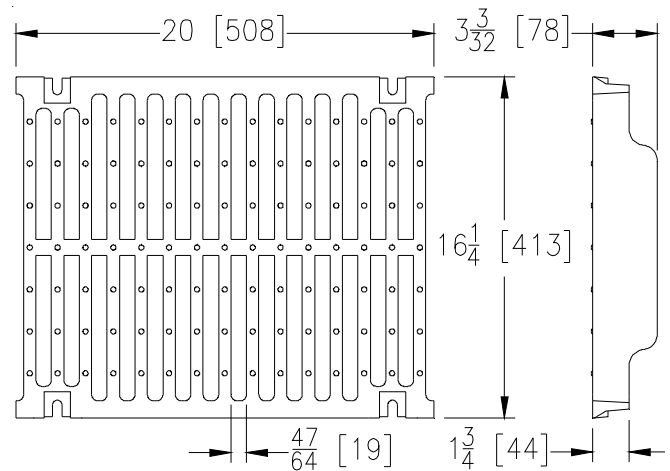
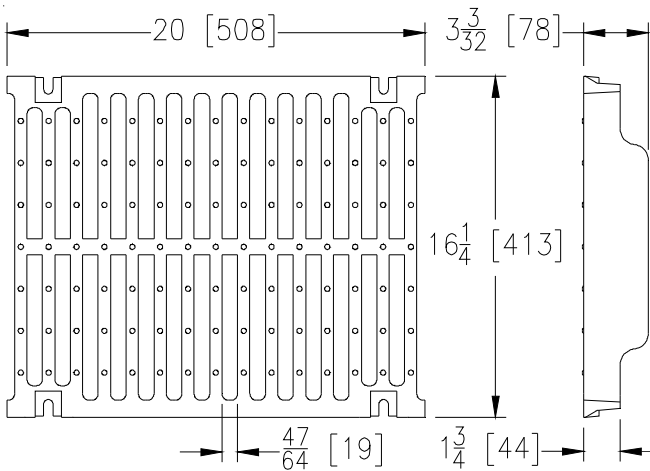


Please Check	Item No.
✓	5

HPD-Heelproof Longitudinal Ductile Iron		
Material: Ductile Iron		
DIN Rating: Class C		
Weight: 29.00 # per ft.		
Open Area: 37 sq. in. per ft.		
ANSI Rating: Heavy-Duty		
Application: Heavy Vehicle & Truck		
Slot Width/Hole Size: .25"		
ADA	H-20	FAA
Yes	Yes	No

Please Check	Item No.
✓	6

DCF-Ductile Iron Solid Cover		
Material: Ductile Iron		
DIN Rating: Class F		
Weight: ??? # per ft.		
Open Area: N/A		
ANSI Rating: Heavy-Duty		
Application: Heavy Vehicle, Truck & Conduit		
Slot Width/Hole Size: N/A		
ADA	H-20	FAA
Yes	Yes	Yes



Please Check	Item No.
✓	7

DGF-Ductile Iron Slotted		
Material: Ductile Iron		
DIN Rating: Class F		
Weight: 49.00 # per ft.		
Open Area: 90 sq. in. per ft.		
ANSI Rating: Heavy-Duty		
Application: Heavy Vehicle & Truck		
Slot Width/Hole Size: .74"		
ADA	H-20	FAA
No	Yes	Yes

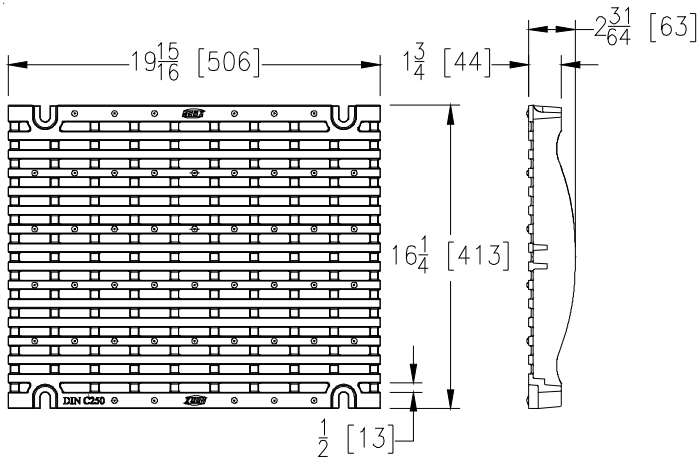
Please Check	Item No.
✓	8

GDF-Galvanized Ductile Iron Slotted		
Material: Ductile Iron		
DIN Rating: Class F		
Weight: 49.00 # per ft.		
Open Area: 90 sq. in. per ft.		
ANSI Rating: Heavy-Duty		
Application: Heavy Vehicle & Truck		
Slot Width/Hole Size: .74"		
ADA	H-20	FAA
No	Yes	Yes



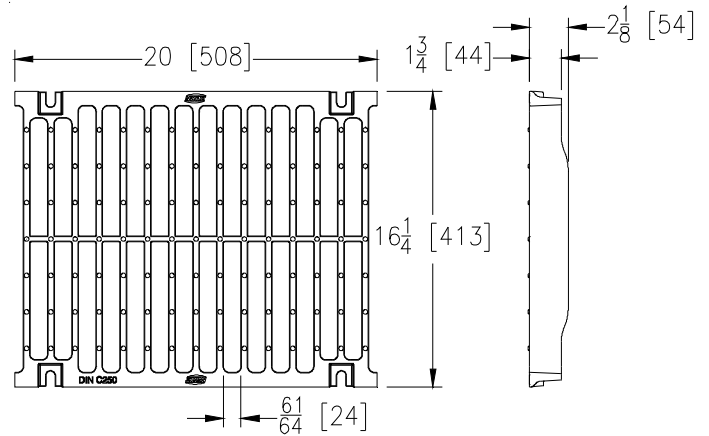
Z874-12

12" WIDE THROAT GRATES



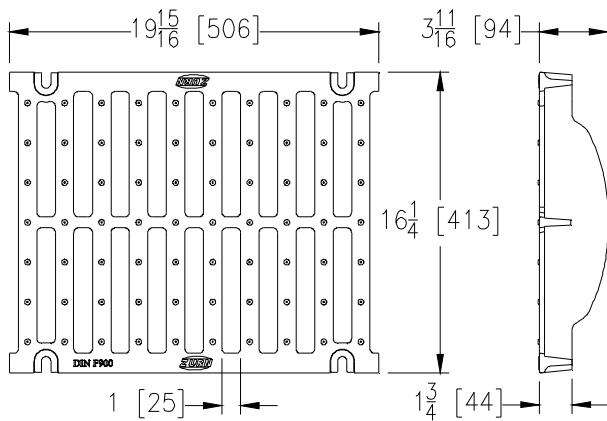
Please Check	Item No.
✓	9

ADA-USA Domestic Ductile ADA Compliant		
Material: Ductile Iron		
DIN Rating: Class C		
Weight: 26.50 # per ft.		
Open Area: 66 sq. in. per ft.		
ANSI Rating: Heavy-Duty		
Application: Roadway, ADA		
Slot Width/Hole Size: .5"		
ADA	H-20	FAA
Yes	Yes	No



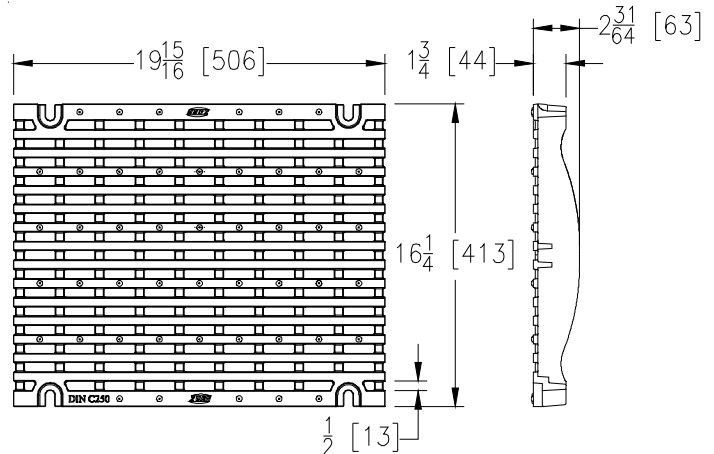
Please Check	Item No.
✓	10

DGC-USA -Domestic Ductile Iron Slotted		
Material: Ductile Iron		
DIN Rating: Class C		
Weight: 29.00 # per ft.		
Open Area: 118 sq. in. per ft.		
ANSI Rating: Heavy-Duty		
Application: Heavy Vehicle & Truck		
Slot Width/Hole Size: .95"		
ADA	H-20	FAA
No	Yes	No



Please Check	Item No.
✓	11

DGF-USA -Domestic Ductile Iron Slotted		
Material: Ductile Iron		
DIN Rating: Class F		
Weight: 39.8 # per ft.		
Open Area: 120 sq.in.per ft.		
ANSI Rating: Heavy-Duty		
Application: Heavy Vehicle & Truck		
Slot Width/Hole Size: 1"		
ADA	H-20	FAA
No	Yes	Yes



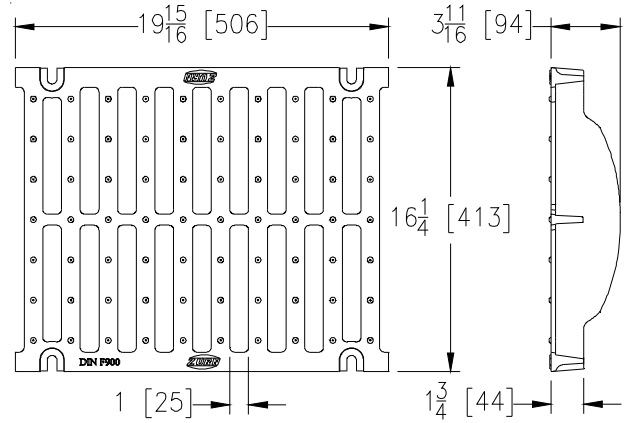
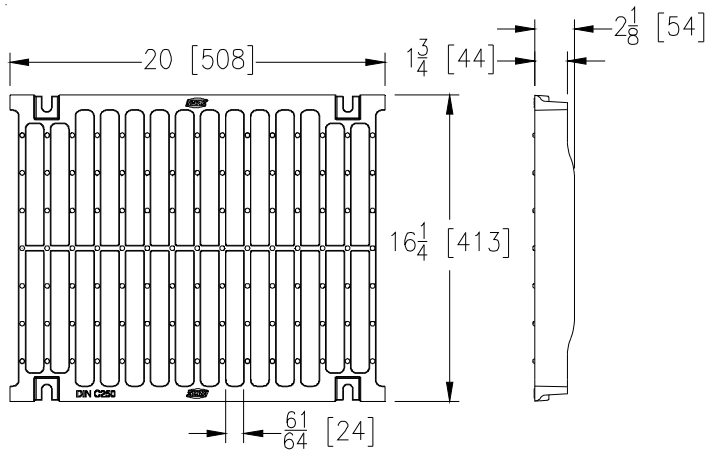
Please Check	Item No.
✓	12

GADA-USA -Galvanized Domestic Ductile ADA Compliant		
Material: Ductile Iron		
DIN Rating: Class C		
Weight: 26.50 # per ft.		
Open Area: 66 sq. in. per ft.		
ANSI Rating: Heavy-Duty		
Application: Roadway, ADA		
Slot Width/Hole Size: .5"		
ADA	H-20	FAA
Yes	Yes	No



Z874-12

12" WIDE THROAT GRATES



Please Check ✓	Item No.	GDC-USA -Galvanized Domestic Ductile Iron		
	13	Material: Ductile Iron		
		DIN Rating: Class C		
		Weight: 29.00 # per ft.		
		Open Area: 118 sq. in. per ft.		
		ANSI Rating: Heavy-Duty		
		Application: Heavy Vehicle & Truck		
		Slot Width/Hole Size: .95"		
		ADA	H-20	FAA
		No	Yes	No

Please Check ✓	Item No.	GDF-USA -Galvanized Domestic Ductile Iron		
	14	Material: Ductile Iron		
		DIN Rating: Class F		
		Weight: 39.8 # per ft.		
		Open Area: 120 sq. in. per ft.		
		ANSI Rating: Heavy-Duty		
		Application: Heavy Vehicle, Truck & Conduit		
		Slot Width/Hole Size: 1"		
		ADA	H-20	FAA
		No	Yes	Yes